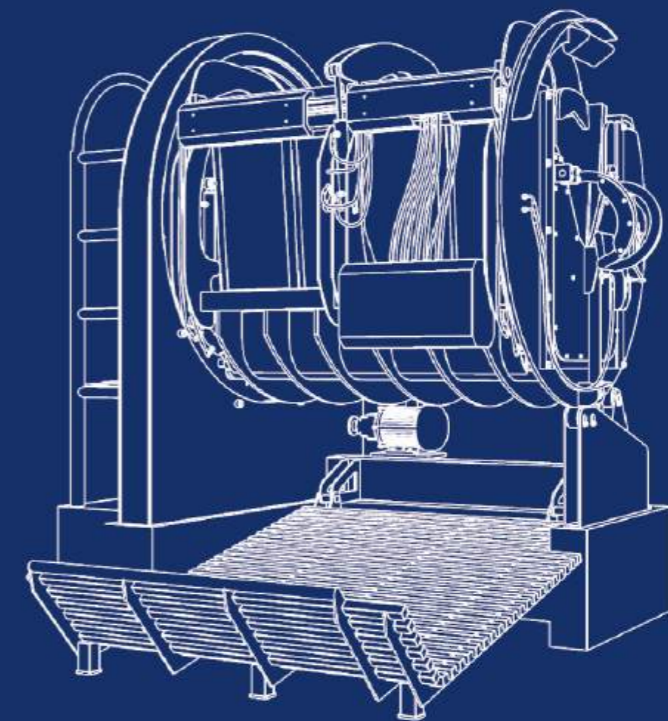
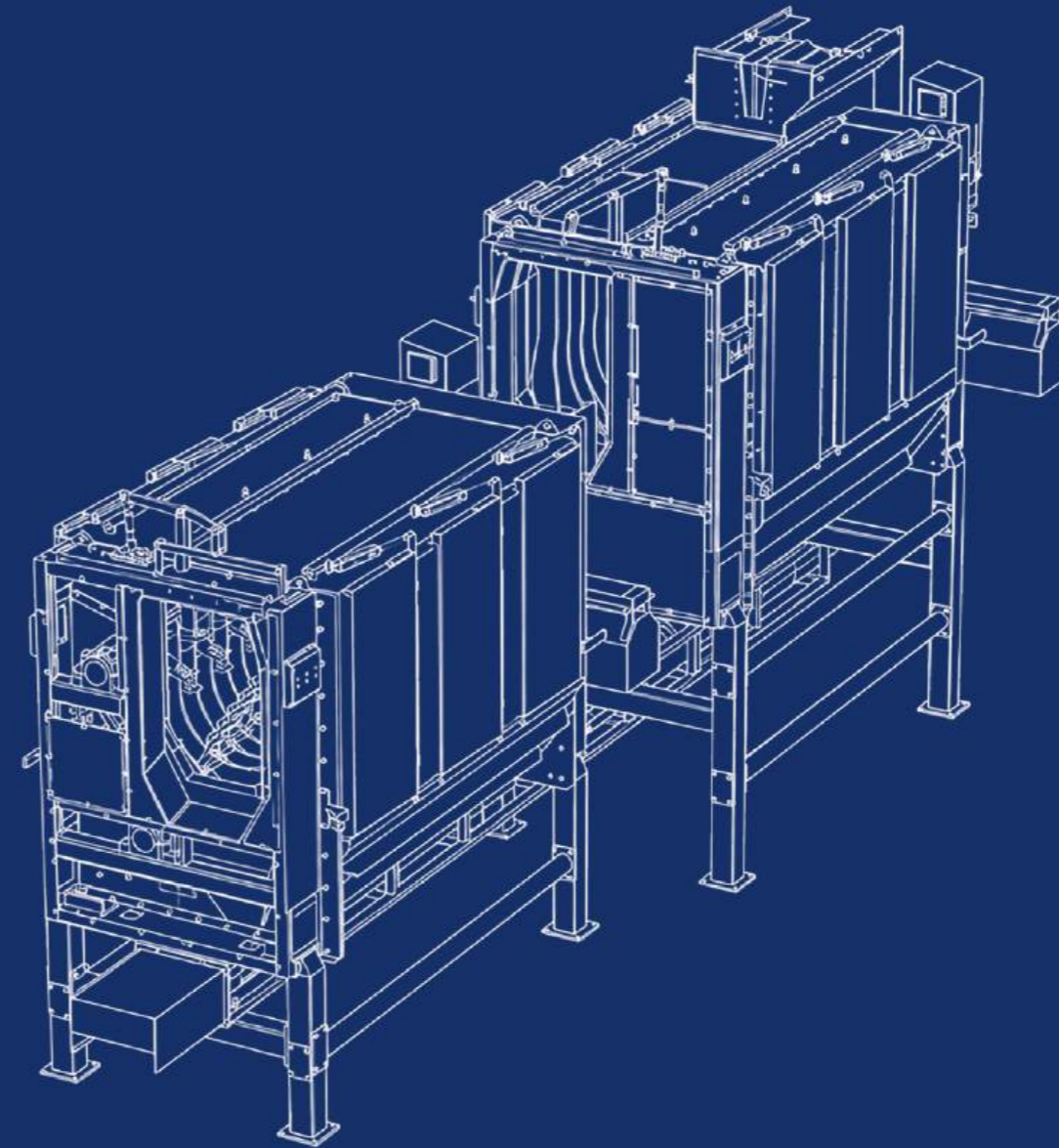


TURNKEY SOLUTION FOR MEAT INDUSTRY

“FROM OPEN LAND TO MORDERN MEAT PLANT”



ONE-STOP ENGINEERING



One-stop Engineering Co., Ltd
Hongkong Middle Road, Qingdao, China

JWE-HONOR GmbH
Munich, Germany

Tel: +86 532 85028817
Fax: +86 532 85026977
E-mail: info@china-onestop.com
URL: www.china-onestop.com





WHO WE ARE

As a Group company with our own factories, we redefine turnkey project execution by merging industrial engineering with cutting-edge technological innovation. Our comprehensive "one-stop-shop" capability encompasses the design, manufacturing, and commissioning of integrated mechanical lines, heavy-duty refrigeration systems, and automated workflows under a single point of responsibility.

With a strong track record of more than 100 successfully executed projects across the world the team at OSE is highly specialized in meat production systems from farm to fork. We are capable to provide not only equipment, engineering but also operational consulting and training, to support your investment needs.

Please do not hesitate to contact us for your need, our team of experts can offer you the most up-to-date global solutions tailored to local markets.

TURNKEY SOLUTION FOR MEAT INDUSTRY



Meat Plant Whole Industrial Chain Matrix

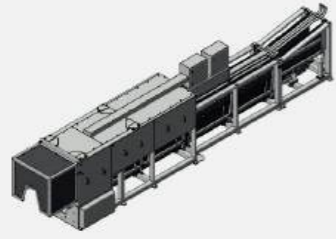
- Slaughter Line Equipment
- Deboning Production Line
- Slaughter tools & labor protective appliances
- Vehicle Disinfection System
- Central Workshop Cleaning System
- Stainless steel supporting equipment
- Cold Room Refrigeration Equipment, Insulation Material
- Workshop Air Conditioning System
- Humidity Control System for Chilling Room
- Cold and Hot Water Exchange System
- Boiler, Auxiliary Machinery and Support System
- Slaughterhouse Management and Traceability System
- Workshop Fresh Air and Odor Removal System
- Laboratory Equipment
- Harmless treatment system
- Blood Meal Processing Equipment
- Wastewater Treatment Equipment
- Generator System
- Solar Power Supply System
- Steel Structure Building Material Cost
- Workshop Renovation Material Cost
- Power Supply Facility
- Water Supply Facility
- Lighting System

01.SLAUGHTERING EQUIPMENT

>> PIG



CO₂ STUNNING



RESTRAINER



TWO-ROLL DEHAIRING MACHINE WITH FULLY AUTOMATIC THROUGH-FEED SCALDING TANK

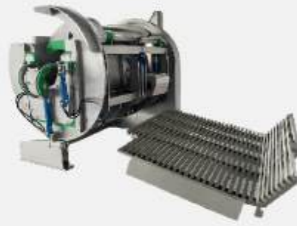


CONTINUOUS DEHAIRING MACHINE

>> CATTLE



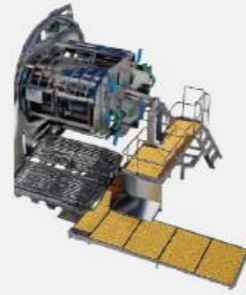
STUNNING BOX



HALAL SLAUGHTER BOX



PNEUMATIC ELEVATING PLATFORM



DOUBLE HALAL SLAUGHTER BOX

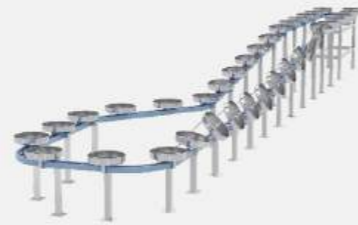
>> SHEEP



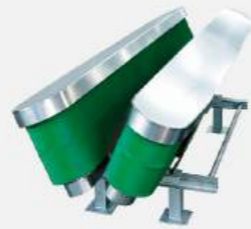
SHEEP SKIN PULLER



HALAL SHEEP SLAUGHTER BOX



OFFAL INSPECTION SYSTEM



V RESTRAINER CONVEYOR

>> POULTRY



POULTRY CRATE WASHER



CRATE DE-STACKER



EVISCERATOR

02.DEBONING EQUIPMENT



DEBONING BELT CONVEYOR



INTELLIGENT DEBONING & PORTIONING LINE

03.REFRIGERATION SOLUTION



SLIDING SPIRAL FREEZER



FREON REFRIGERATION UNIT



AMMONIA REFRIGERATION UNIT



CEILING MOUNTED AIR COOLER

04.WASTE MANAGEMENT

05.OTHER AUXILIARY



THERMAL SHRINK MACHINE



CENTRAL / MOBILE FOAM CLEANING SYSTEM



AUTOMATIC AIR SHOWER ROOM



HYGIENE CLEANING STATION

>> STEEL STRUCTURE & INSULATED PANEL SYSTEMS



>> PARTITION SANDWICH PANEL



<< INTELLIGENT MEATPLANT MANAGEMENT SYSTEM



AI VISION RECOGNITION SYSTEM

